

## ASSOCIATION ACTIVITIES

### DR. C. SOBHANADRI:

Dr. C. Sobhanadri M.D., D.V., returned from abroad in July 1971. He was on world tour for about a month or so. He visited Dermatology and Venereal clinics of the following countries: Italy, Germany, Holland, France, U. K., U. S. A., New Zealand, Japan, Thailand, & Singapore and met eminent dermatologists of those countries at various centres. We hope he benefited by his tour abroad: Editor.

### DR. B. M. S. BEDI:

Dr. Bedi has been awarded Commonwealth Medical Fellowship for 1971-1972. He shall be going to St. John's Hospital for Diseases of Skin in the Institute of Dermatology, London for 1 year. He shall be working on the subject of cutaneous allergy and Immunology under the guidance of Prof. Calnan C. D. and Dr. Amos H. E. We congratulate Dr. Bedi, Editor.

### PROCEEDINGS OF SILVER JUBILEE SUB-COMMITTEE HELD AT BANGALORE ON JUNE 26, 1971.

*MEMBERS PRESENT*: Dr. D. P. Jayaram-President Dr. C. Bhakta-Vizim-Organising Secretary

*MEMBERS ABSENT*: Dr. A. C. Parikh-General Secretary-Telegram regretting inability to attend-25. 6. 1971. Dr. L. K. Bhutani-Letter dated 19. 6. 71 regretting inability to attend.

After discussion of the decisions made at the time of the General Body Meeting held at Mangalore in January 1971, regarding the celebration of the Silver Jubilee of the Association, at Madras in January 1972 the following decisions were made:

**ANNUAL ORATION**: The Chairman of the Scientific Committee is requested to choose the Orator at an early date-not later than September 1971 and inform the President and the Organising Secretary of the Silver Jubilee Subcommittee.

**GUEST LECTURER**: Selection to be made early, by Dr. K. C. Kandhari, Dr. L. K. Bhutani and Dr. C. Bhakta Viziam. This should also be finalised not later than September 1971.

**MEMBERSHIP ROSTER**: To be prepared by the General Secretary Dr. A. C. Parikh with the assistance of Dr. S. J. Yawalkar.

**SOUVENIR**: Dr. C. Bhakta Viziam with the assistance of Dr. B. M. S. Bedi and Dr. T. Gopinath to publish the Souvenir.

**SILVER JUBILEE FUND**: The object of the fund is to form a nucleus of a substantial sum of money to provide from the interest realised annually for the recurring expenditure of the Annual Oration and such other activities and interests of the Association depending upon the amount raised.

Dr. C. Bhakta Viziam attended the inauguration of the South Western Branch at Trivandrum on 29. 5. 71. All the members of the branch have pledged to give a minimum of Rs. 100/- to the Silver Jubilee Fund.

It was decided to request all the members of the Association to follow the example set by the members of the South Western Branch.

The Journal Editor Dr. T. K. Mehta is requested to print in the next issues of the Journal an appeal to all members to contribute liberally to the Silver Jubilee Fund and also to make an offer to raise funds from prospective donors and philanthropists. (I endorse this. Editor)

Obituary

Dr. Mrs. Vasanthi Omprakash Jalan, Junior Lecturer in Dermatology and Venereology at B. J. Medical College, Ahmedabad died suddenly on 14th June-1971. A promising career was thus cut short on the prime of her life. Dr. Mrs -Jalan was born on 27th November 1944. She took her M. B., B. S. in 1966 at B. J. Medical College, Ahmedabad and then took her D. V. and D. (Gujarat) in 1969. Thereafter, she was working as a Junior lecturer at the skin department of the B. J. Medical College and civil hospital, Ahmedabad. Dr. Mrs Jalan was married to Dr. Omprakash M. Jalan, M. S, D. A. and had one child She was a linguist knowing many languages mainly Tamil, (Her mother tongue) Gujarati, Hindi, and English. She will be remembered by her friends, colleagues and relatives as a very graceful person with charming manners.

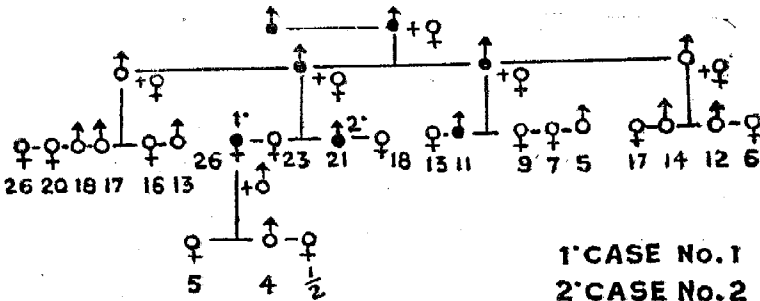
We pray to God that her soul may rest in eternal peace.

ERRATA

TRICOEPITHELIOMA

By

T. R. Bedi et. al.



1' CASE No. 1  
2' CASE No. 2

Please read relevant article in Vol. 37 No. 3 page 85 and correlate with this figure.